



City of Freeport Sidewalk Reimbursement Program Program Overview

The Sidewalk Reimbursement Program is a voluntary program in which Owners of residential use properties and the City of Freeport share the cost of replacing sidewalks within City limits. The scope of a reimbursement project includes the main walk, the courtesy walk and existing catwalks/landing steps within the public right-of-way. The City of Freeport will also contribute in-kind services for the removal of existing sidewalks for eligible projects. The City of Freeport will continue to build ADA-compliant corner ramps where applicable, with the City paying the entire cost of the ramps. This year's program shall provide qualifying applicants with a reimbursement of **\$1.50/SF**.

How does the process work?

1. Applications for the City of Freeport Shared Cost Sidewalk Program can be picked up from the City of Freeport Building Department, located at 524 W. Stephenson Street or can be downloaded from the City website at www.cityoffreeport.org under the “**recent news**” link.

- Interested parties shall complete the City Sidewalk Application along with the Waiver and Release form. **Please note that Shared Cost Sidewalk applications that are missing any of this requested information will not be processed.**
- Applications filed by mail shall be deemed filed at 8:00 a.m. of the day received. All in-person submittals will be time stamped upon receipt.
- **To ensure fairness, requests will be processed on a first-come, first-served basis; however, priority will be given to those homeowners that are able to coordinate the completion of an entire city block. Once all funding has been used, the program will be closed.**

2. The City of Freeport Public Works Department will review each application and perform a site visit to verify that the replacement meets the program requirements. In rare cases, Public Works may determine that some locations meet City standards and do not qualify.

3. Applicants will then be required to get their own bid from the attached list of eligible contractors. The contractor must notify Public Works at least one week in advance of the replacement for the City to contribute in-kind services for the removal of the existing sidewalk. You can contact Public Works at 815.235.8210 for an inspection.

4. In order for the applicant to receive the reimbursement, the contractor must at least meet the minimum standard for new sidewalk, as shown on the attached details. The contractor must notify Public Works for approval of the aggregate base course prior to the concrete pour. All new sidewalks shall match the existing width or be a minimum of four (4) foot wide to comply with the Americans with Disabilities Act.

5. Upon completion of the work, the applicant shall notify Public Works for a final inspection of the work. Once the new sidewalk is approved, the applicant can submit their receipt to the City of Freeport Finance Department for the reimbursement. **No reimbursement will be given for sidewalk costing over \$5/SF or for custom sidewalks (e.g., granite, colored, custom designs, etc.) and driveways.**



City of Freeport

Shared Cost Sidewalk Program

Waiver and Release of all Claims

In exchange for City of Freeport services provided to me pursuant to the City's Shared Cost Sidewalk Program, I hereby agree to waive and relinquish any and all claims that I have or may at any time have, against the City of Freeport or any of its officials, employees, or agents, except as may be deemed unwaivable by State or Federal law.

To the extent allowed by State or Federal law, I do hereby fully release and discharge the City of Freeport, and all of its officers, employees, agents and contractors from any and all claims from injuries, including death, damage or loss which I may have or which may accrue to me as a result of my participation in this Program or the City's performance of such services under the Shared Cost Sidewalk Program.

I have read this RELEASE AND WAIVER, and fully understand its provisions. I acknowledge that I am signing this document as my own free and voluntary act, without any duress, coercion or threats by any person. I also acknowledge that I have had an opportunity to consult with an Attorney prior to signing this RELEASE AND WAIVER.

I acknowledge that other than as stated herein, no promise or inducement has been offered for this RELEASE AND WAIVER, that I am the legal Owner of record of the premises located at _____, in the City of Freeport and that no other person's consent is necessary to authorize the execution of the RELEASE AND WAIVER.

OWNER:

OCCUPANT: (if different than owner)

Signature: _____

Signature: _____

Printed Name: _____

Printed Name: _____

Date: _____

Date: _____

Address: _____

Address: _____

Phone: _____

Phone: _____

CITY APPROVAL:

Signature: _____

Date: _____



City of Freeport Shared Cost Sidewalk Program Application

Owner Name: _____

Removal Address: _____

Home/Work Phone: _____ Cell Phone: _____

Contractor Name: _____ Contractor Phone: _____

Location of Replacement (front yard, side yard, both): _____

Installing courtesy walk if not already installed (yes or no): _____

Owner's Signature: _____ Date: _____

(to be completed by the City of Freeport upon inspection)

PROJECT APPROVAL:

Signature: _____

Date: _____

AGGREGATE BASE APPROVAL:

Signature: _____

Date: _____

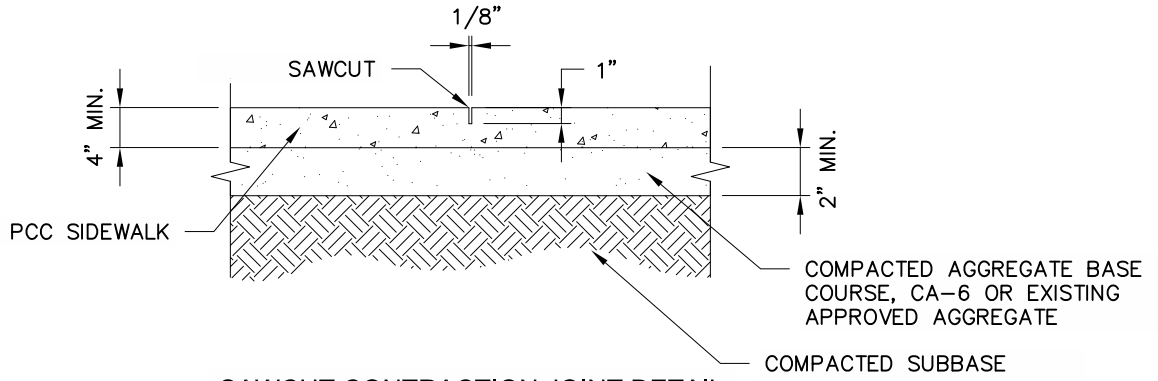
CONCRETE APPROVAL:

Signature: _____

Date: _____

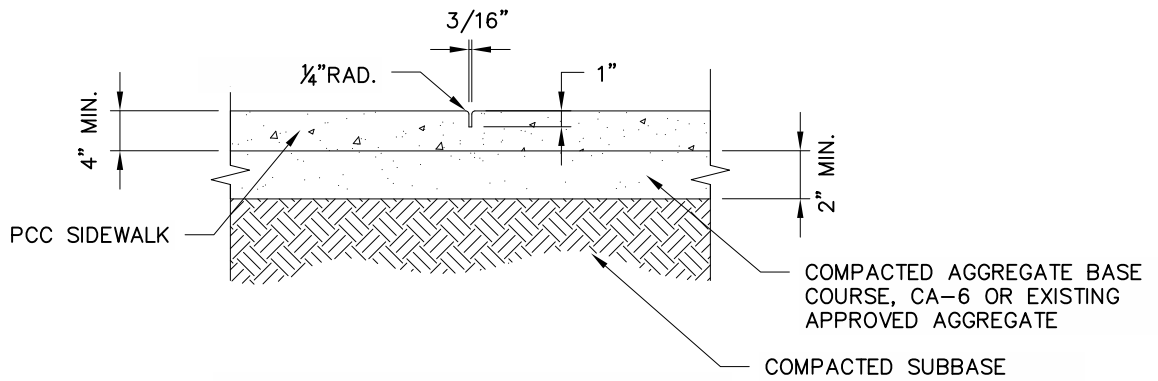
Area in Square Feet Replaced: _____

Reimbursement to Owner (\$1.5/SF): _____



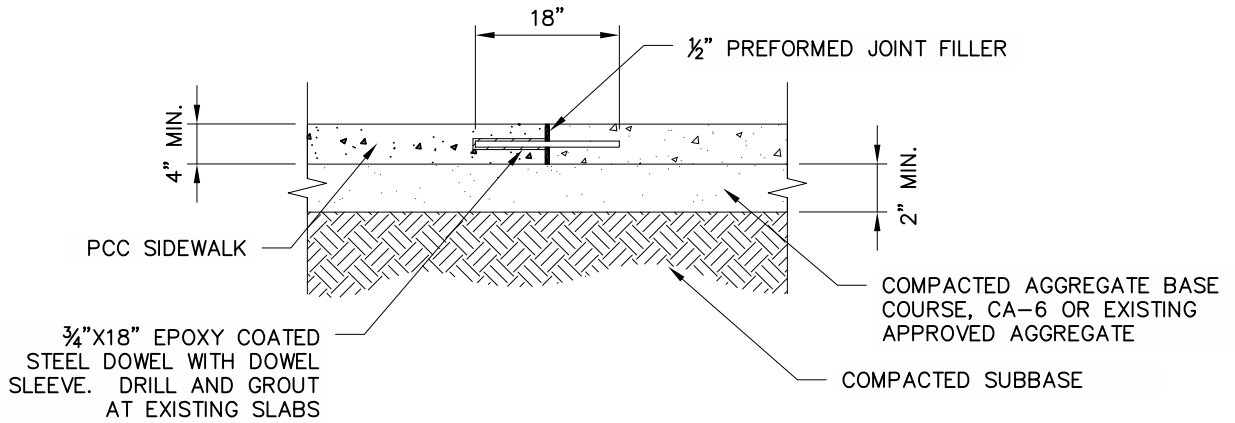
SAWCUT CONTRACTION JOINT DETAIL

NOT TO SCALE



TOOLED CONTRACTION JOINT DETAIL

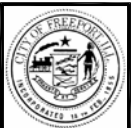
NOT TO SCALE



FORMED EXPANSION JOINT DETAIL

NOT TO SCALE

NOTE: SIDEWALK EXPANSION JOINTS SHALL BE PLACED AT ALL COLD JOINTS AND RADIUS ENDS. ALL SAWCUT OR TOOLED CONTRACTION JOINTS SHALL BE SPACED 5' MAXIMUM. DOWELS SHALL BE USED TO TIE INTO EXISTING SIDEWALK.

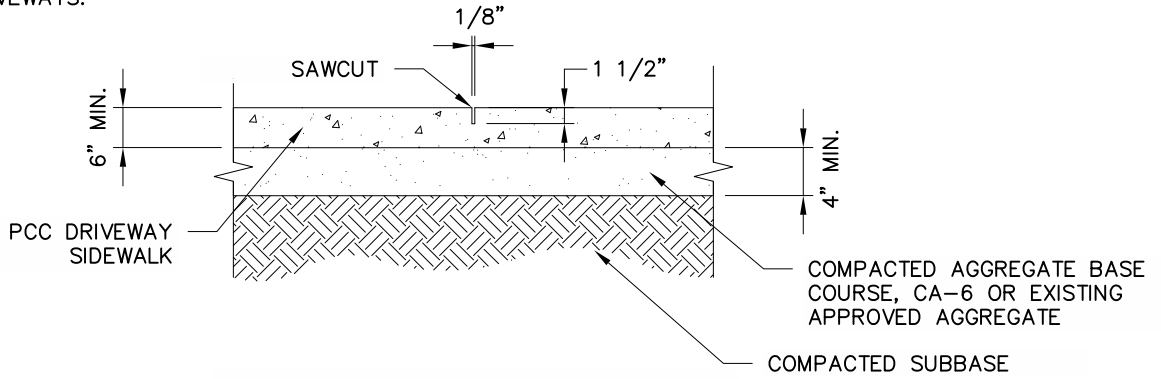


SCALE:	HOR: NONE
DRAWN BY:	SMG
CHECKED BY:	TED
DATE:	7-30-2013

PCC SIDEWALK, 4"	
SIDEWALK REIMBURSEMENT PROGRAM	
CITY OF FREEPORT	FREEPORT, ILLINOIS
FILE: H:\13-00000-01-GM\CAD FILES\DETAILS.DWG	JOB: SW PROGRAM

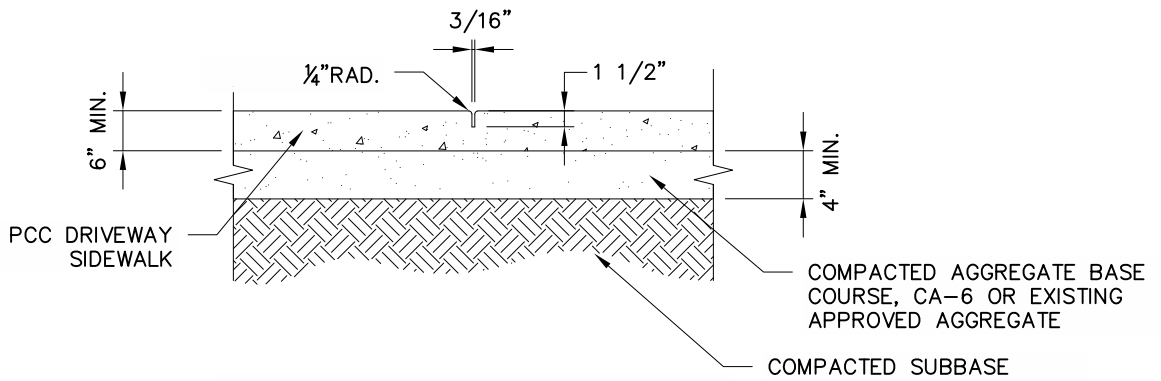
SHEET NO.
1
OF
2

THIS DETAIL SHALL BE USED ON ALL
SIDEWALK SECTIONS ADJACENT TO EXISTING
OR PROPOSED DRIVEWAYS.



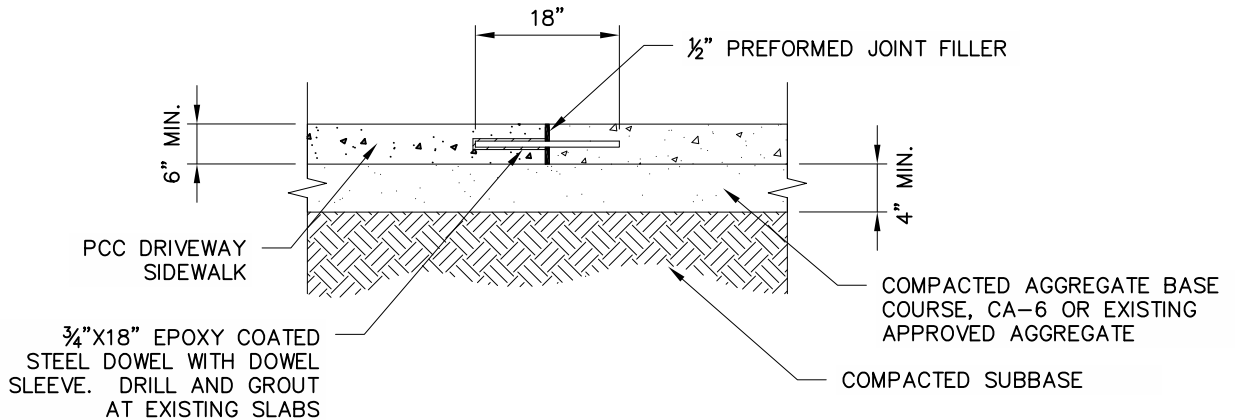
SAWCUT CONTRACTION JOINT DETAIL

NOT TO SCALE



TOOLED CONTRACTION JOINT DETAIL

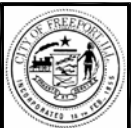
NOT TO SCALE



FORMED EXPANSION JOINT DETAIL

NOT TO SCALE

NOTE: SIDEWALK EXPANSION JOINTS SHALL BE PLACED AT
ALL COLD JOINTS AND RADIUS ENDS. ALL SAWCUT OR
TOOLED CONTRACTION JOINTS SHALL BE SPACED 5' MAXIMUM.
DOWELS SHALL BE USED TO TIE INTO EXISTING SIDEWALK.



SCALE:	HOR: NONE
DRAWN BY:	SMG
CHECKED BY:	TED
DATE:	7-30-2013

PCC DRIVEWAY SIDEWALK, 6"	
SIDEWALK REIMBURSEMENT PROGRAM	
CITY OF FREEPORT	FREEPORT, ILLINOIS
FILE: H:\13-00000-01-GM\CAD FILES\DETAILS.DWG	JOB: SW PROGRAM

SHEET NO.
2
OF
2